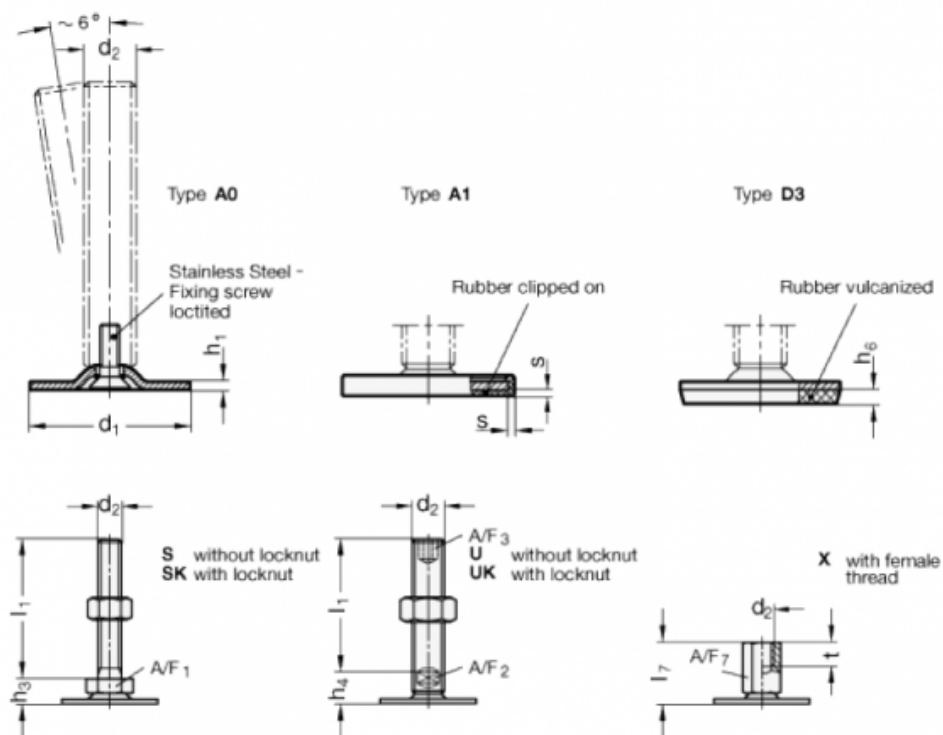


Article number: 204060M1675A0U

Description: E+G levelling foot  
GN 40-60-M16-75-A0-U

Note: U Without nut, Hexagon socket at the top, Wrench flat at the bottom

## Measures



A/F2 = 12  
A/F3 = 8  
d1 = 60  
d2 = M16  
h1 = 2.5  
h4 = 17  
h6 =  
l1 = 75

s =